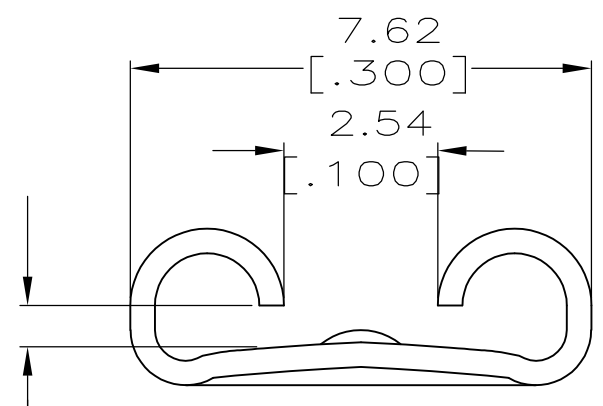
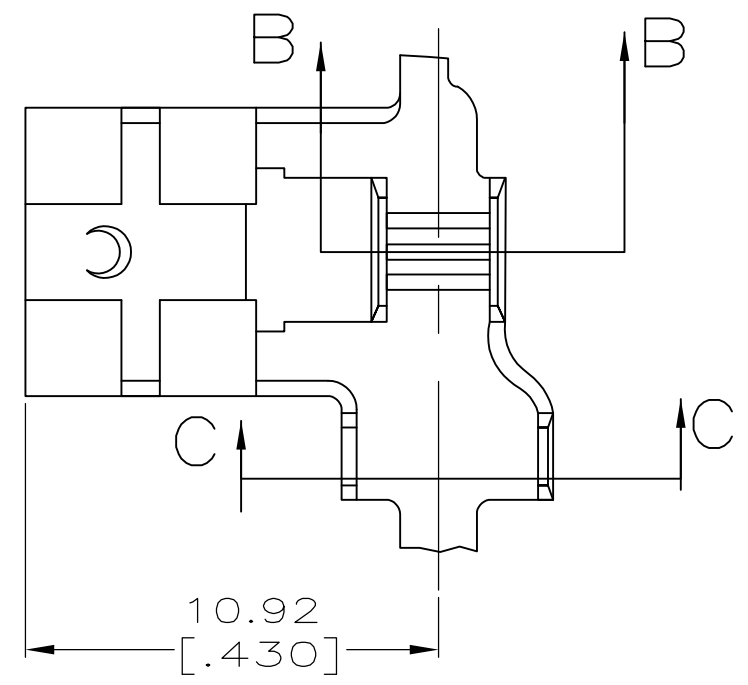


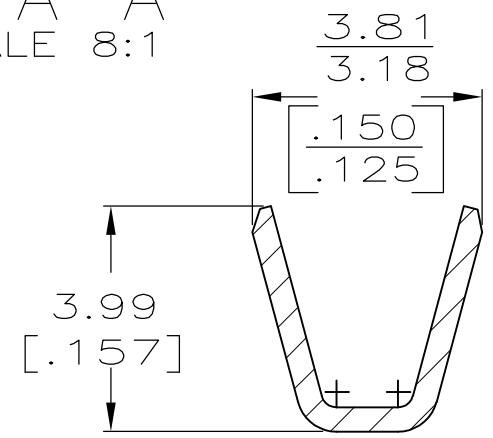
THIS DRAWING IS UNPUBLISHED. RELEASED FOR PUBLICATION
 © COPYRIGHT - By - ALL RIGHTS RESERVED.

| LOC | DIST | REVISIONS | | | | | |
|-----|------|-----------|-----|---------------------------|-----------|-----|------|
| AF | 50 | P | LTR | DESCRIPTION | DATE | DWN | APVD |
| | | | H | REVISED PER ECR-12-013518 | 23NOV2012 | KH | PD |

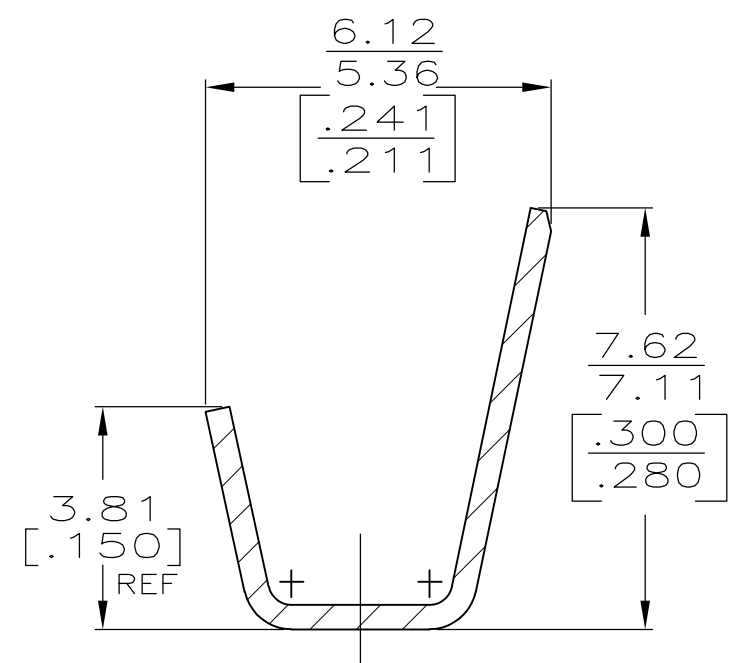


FITS .250 SERIES FASTON TAB

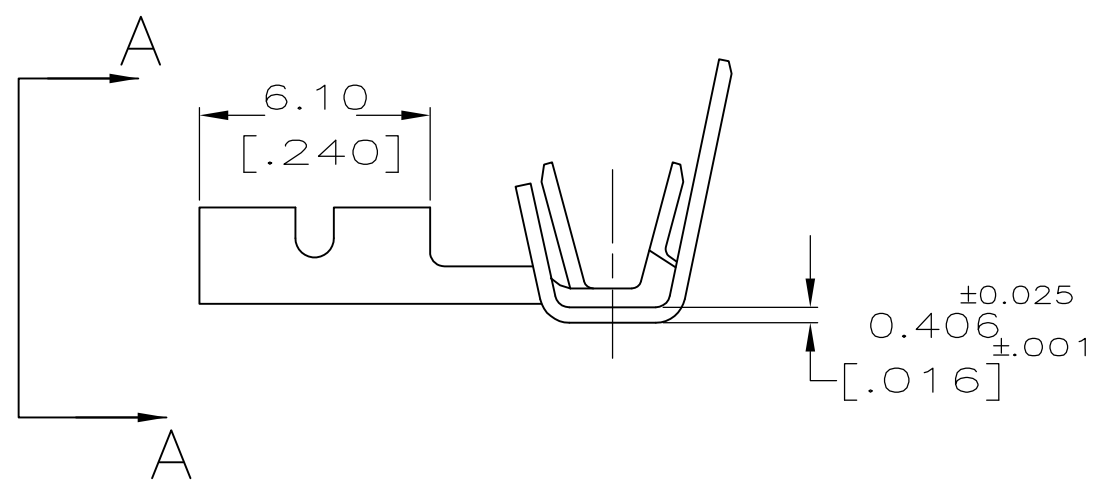
VIEW A-A
SCALE 8:1



SECTION B-B
SCALE 8:1



SECTION C-C
SCALE 8:1



- 1 CONTINUOUS STRIP ON REELS
- 2 TIN 0.002032 [.000080] MIN THK PER MIL-T-10727
- 3 SPECIAL REELING
- 4 PRELIMINARY - NOT FOR PRODUCTION

| | | | | | |
|----------|--------|-------------|-------------|----------------------|-------------|
| OBSOLETE | - | 2.79-5.08 | [#18-#14] | 0.813±0.025 | 3 4 63538-3 |
| | TIN | [.110-.200] | TWO [#18'S] | [.032±.001] | |
| | - | | | | 63538-1 |
| | FINISH | INSUL RANGE | WIRE SIZE | MATING TAB THICKNESS | PART NO |

| | | | | | | | |
|---|------------------|----------------------|---|-----------|-----------------|--------------------|-----------------|
| THIS DRAWING IS A CONTROLLED DOCUMENT. | | DWN JR RUTH 7/31/89 | TE Connectivity RECPT, FASTON, FLAG, LOW-INSERTION, .250 SERIES | | | | |
| DIMENSIONS: mm [INCHES] | | CHK MS FEHER 7/31/89 | | | | | |
| TOLERANCES UNLESS OTHERWISE SPECIFIED: | | APVD R KUZO 7/31/89 | | | | | |
| 0 PLC ± - 1 PLC ± - 2 PLC ± - 3 PLC ± 0.25 [.010] 4 PLC ± - ANGLES ± - | | PRODUCT SPEC - | | | | | |
| MATERIAL BRASS | FINISH SEE TABLE | APPLICATION SPEC - | NAME - | SIZE A3 | CAGE CODE 00779 | DRAWING NO C-63538 | RESTRICTED TO - |
| CUSTOMER DRAWING | | | WEIGHT - | SCALE 5:1 | SHEET 1 OF 1 | REV H | |